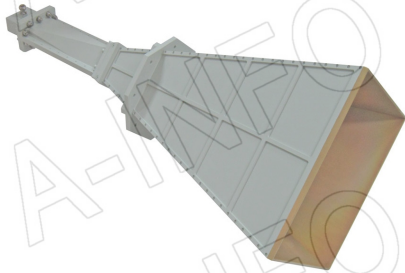


For reference only. See data sheet for the detailed specifications.

## Technical Specification

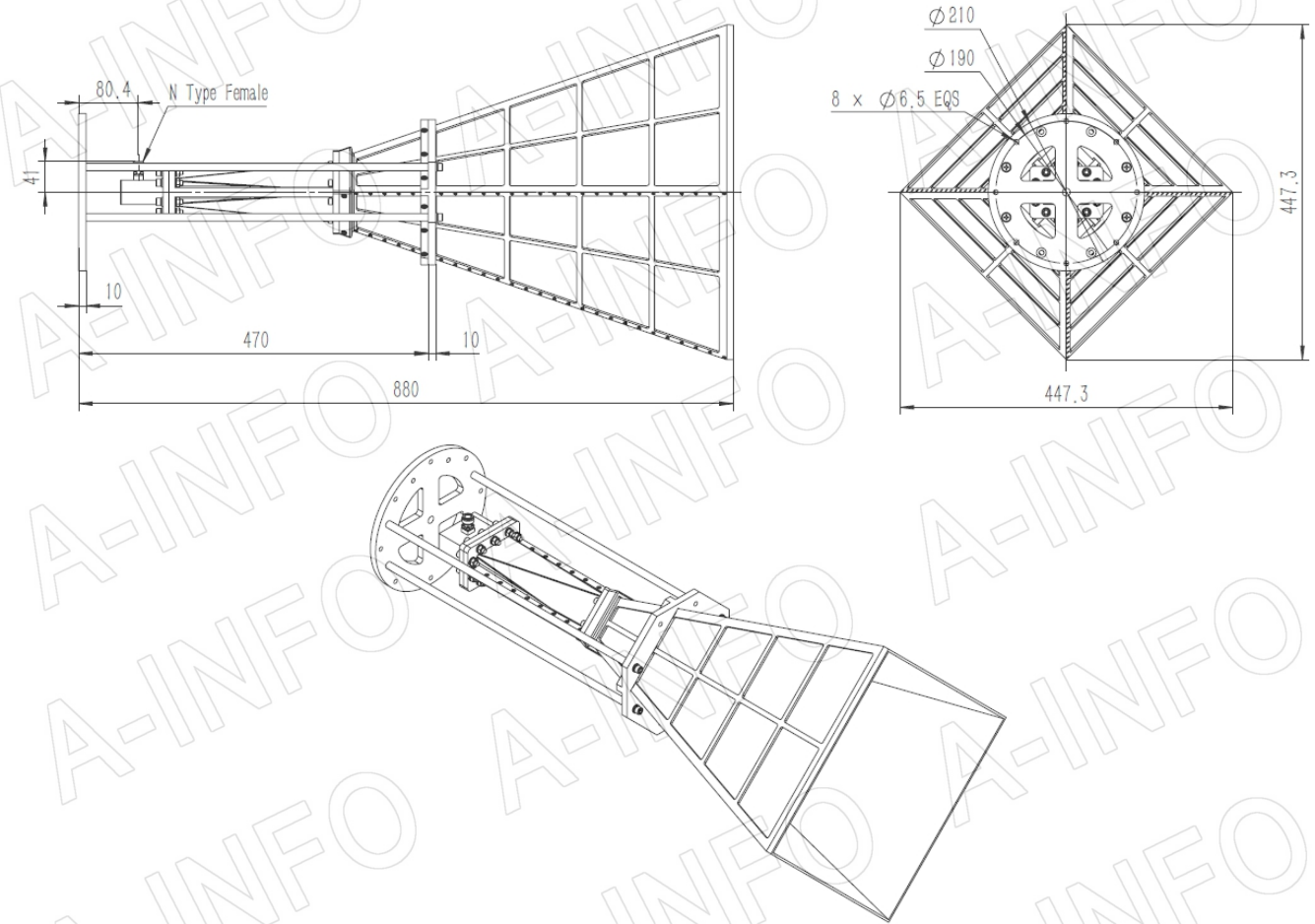


Frequency Range(GHz)	3.30 – 4.90
Waveguide	WR229
Gain(dBi)	20 Typ.
Polarization	Linear
3dB Beamwidth(deg)	E Plane: 16 Typ.
	H Plane: 16 Typ.
Side Lobe Level(dB)	E Plane: 30 Min.
	H Plane: 35 Min.
Cross Pol. Isolation(dB)	45 Typ.
VSWR	A Type: 1.20:1 Max.
	C Type: 1.50:1 Max.
Output	A Type: FDP40(UDR40)
	C Type: N-Female or SMA-Female or TNC-Female or 7mm or 3.5mm-Female
Material	Al
Finish	Chemical Conversion Coating, Gray Paint
Size(mm)	A Type: 447.3 x 447.3 x 758.6
	C Type: 447.3 x 447.3 x 823.6
Net Weight(Kg)	A Type: 4.65 Around
	C Type: 4.85 Around

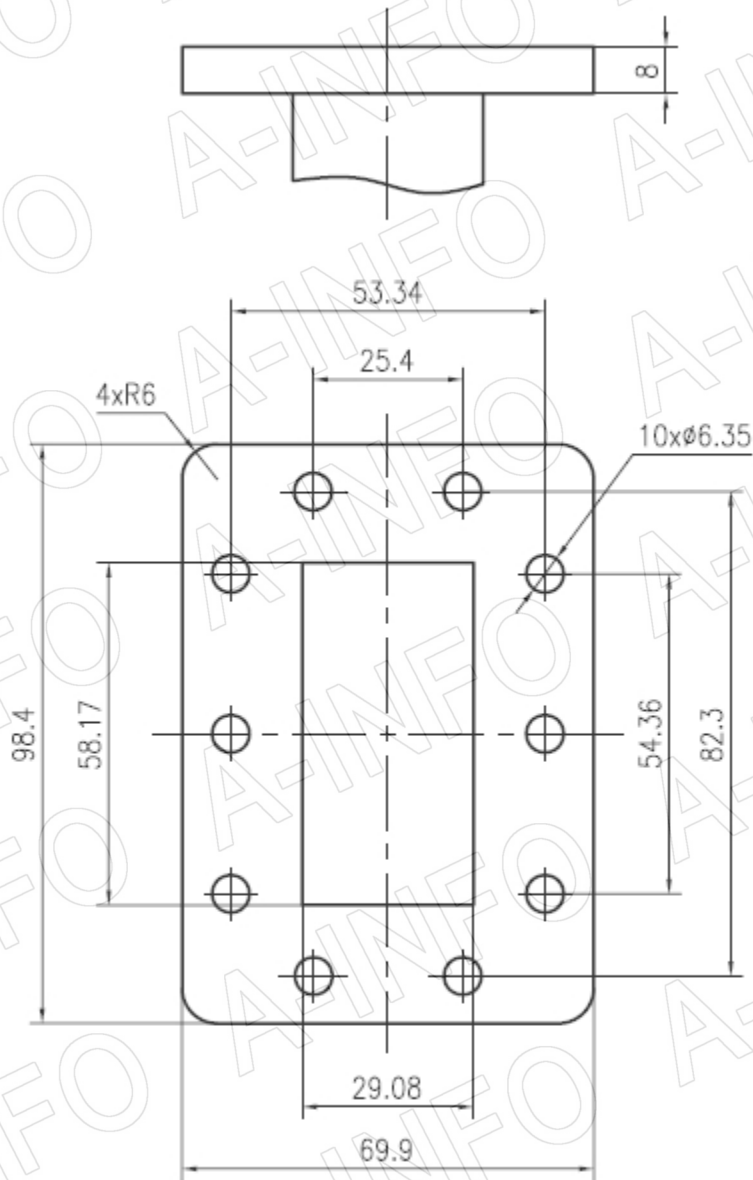


**N-Female Output with Round Mounting Bracket (Option, P/N: LB-DG-229-20-MB)**

For SMA-Female, TNC-Female, 7mm or 3.5mm-Female output outline drawing, please contact A-INFO.



## Flange Drawing (Size: mm)



**FDP40**

### AINFO Inc.

China(Beijing): Tel: (+86) 10-6266-7326,  
China(Chengdu): Tel: (+86) 28-8519-2786,  
USA : Tel: (+1) 949-639-9688,

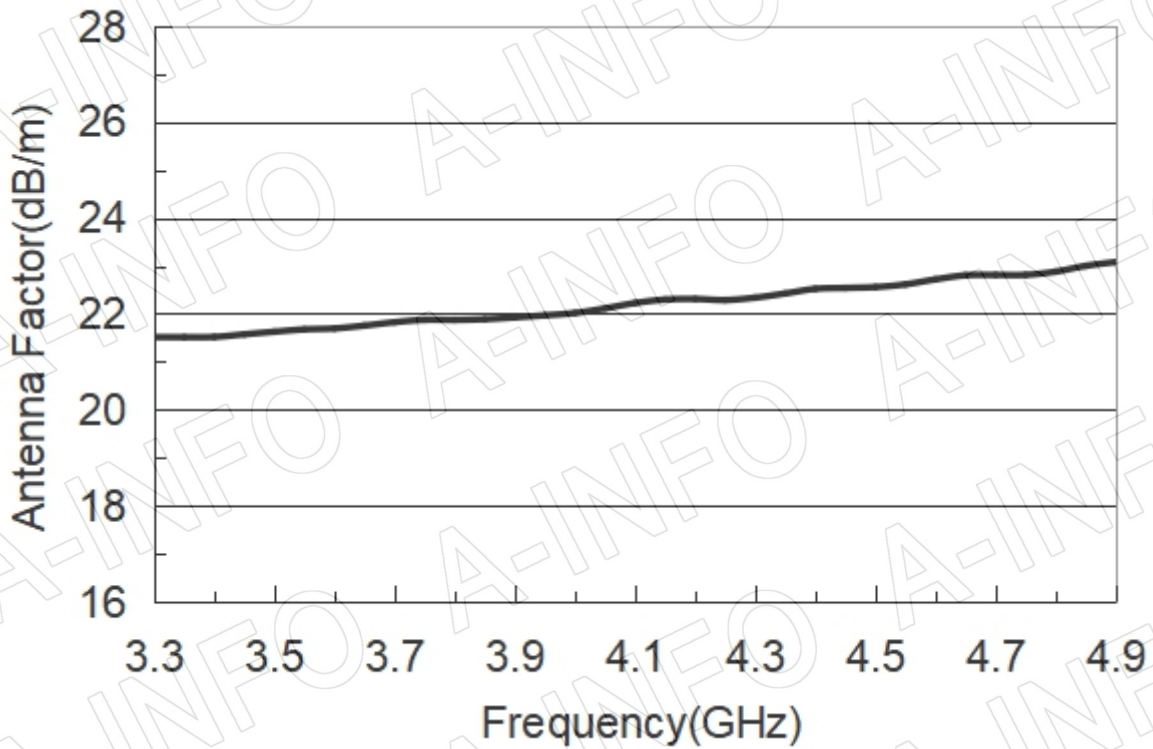
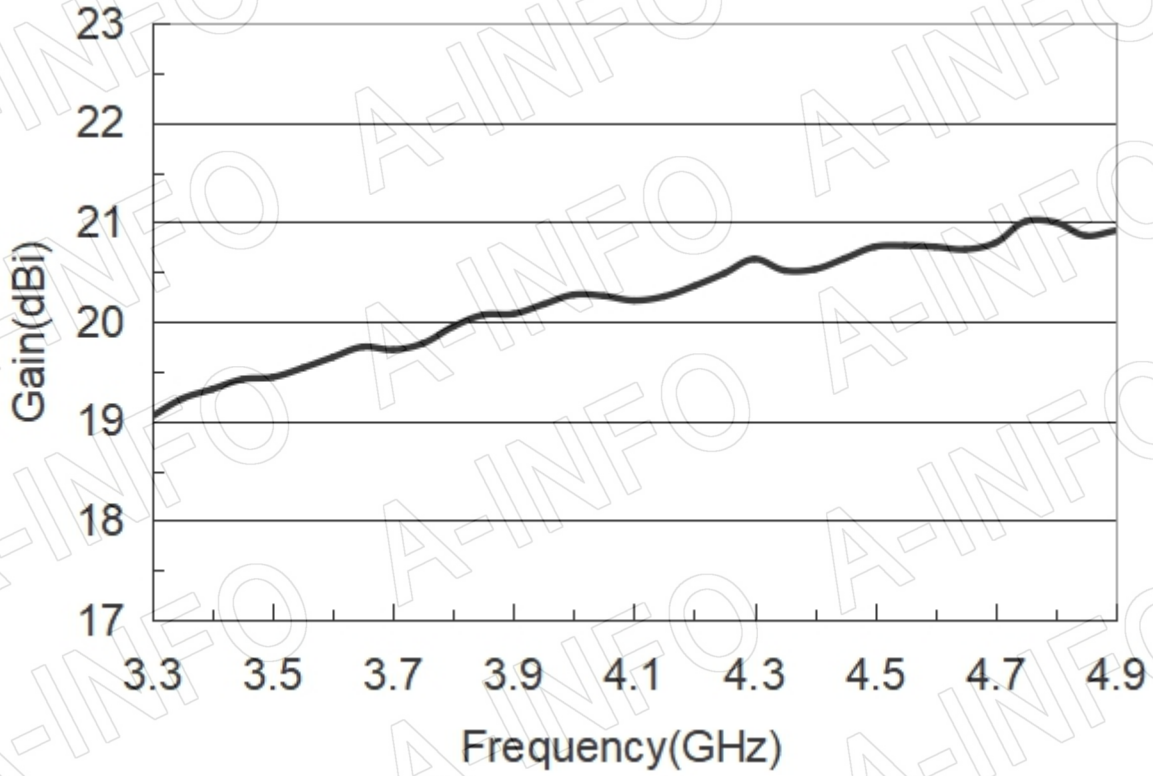
Page 4 of 8

(+86) 10-6266-7327 Fax: (+86) 10-6266-7379  
(+86) 28-8519-3044 Fax: (+86) 28-8519-3068  
(+1) 949-639-9608 Fax: (+1) 949-639-9670

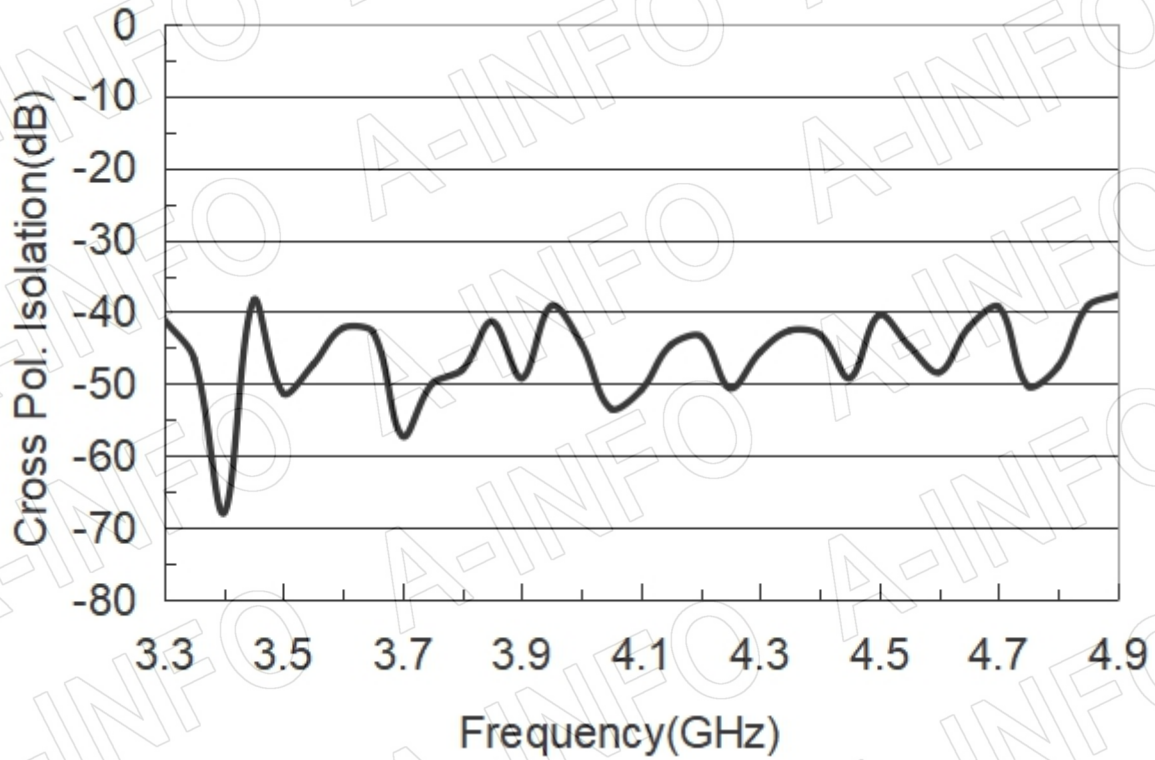
Website: [www.ainfoinc.com](http://www.ainfoinc.com)  
Email: [sales@ainfoinc.com](mailto:sales@ainfoinc.com)

## Test Results

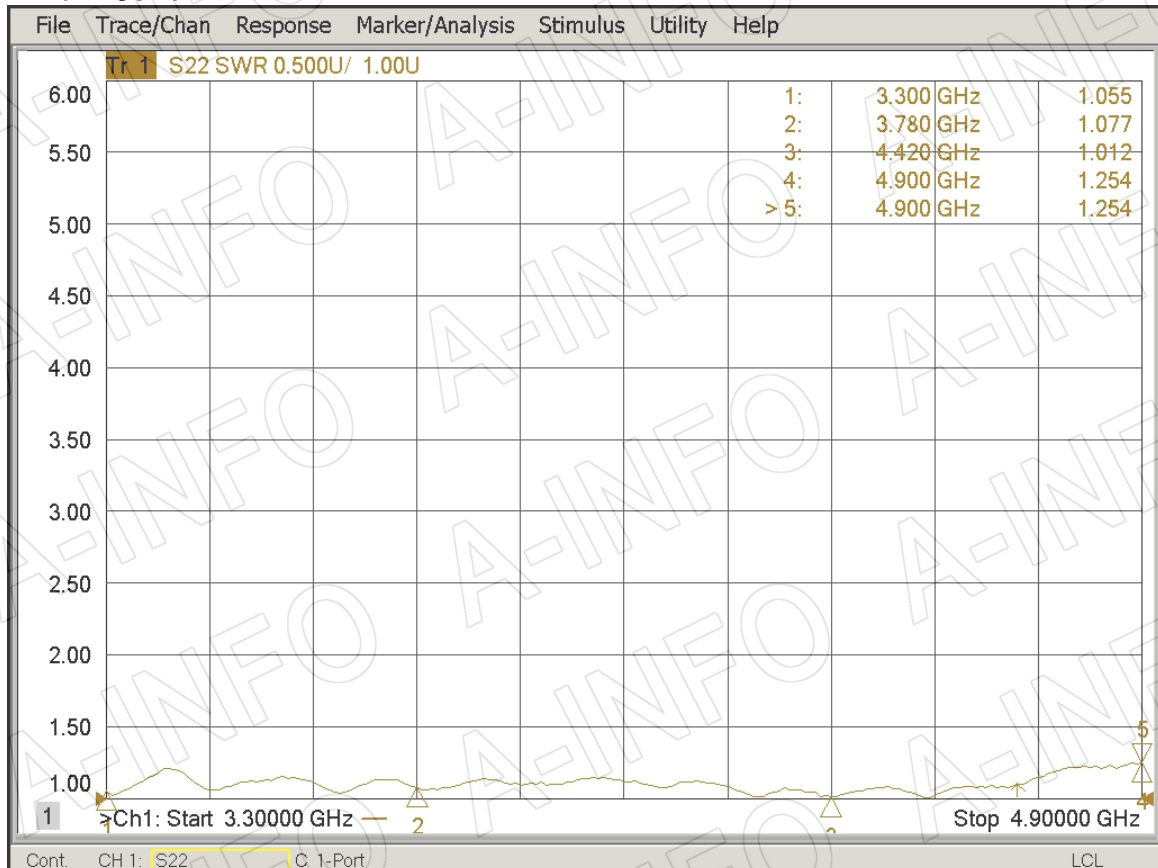
### 1. Gain & Antenna Factor



## 2. Cross Polarization Isolation



## 3. VSWR(C Type)



## 4. Pattern

